



**Duramont**

## Rooftop mounting system for photovoltaics



The Duramont on-roof mounting system is the result of our own innovation and development. It has been in use for more than 25 years and has proven its worth. It is highly resilient and extremely stable thanks to the cross-bonding. At the same time, the modules are kept stress-free and gentle.

### Duramont

Any loads are absorbed by the mounting system over the entire length of the frame. The great advantage of the system is the high assembly speed thanks to the self-levelling of the vertical profiles.



**Installation possible on any roof**

**Delivery as complete system**

**Robust, weatherproof and durable**

**SOLTOP Energie AG**  
St. Gallerstrasse 3  
CH-8353 Elgg  
info@soltop-energie.ch

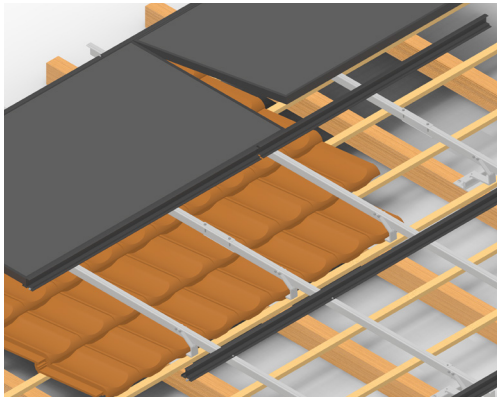
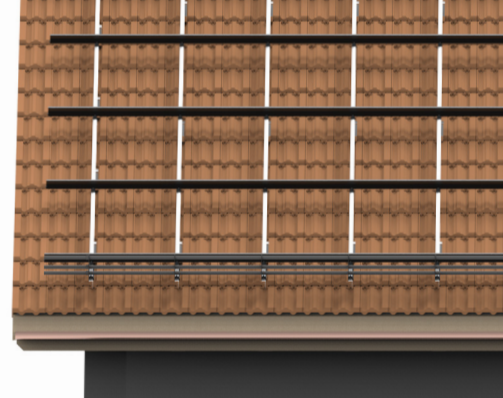
**SOLTOP Energie GmbH**  
Lindauer Straße 15  
D-88145 Hergatz  
info@soltop-energie.eu

**SOLTOP Energie SA**  
Rue des Sablons 8  
CH-3960 Sierre  
info.fr@soltop-energie.ch

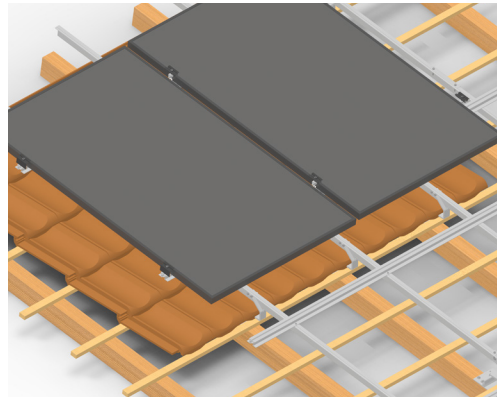
**SOLTOP Energie SA**  
Avenue Haldimand 41  
CH-1400 Yverdon-Les-Bains  
info@soltop-energie.ch

# Duramont mounting systems

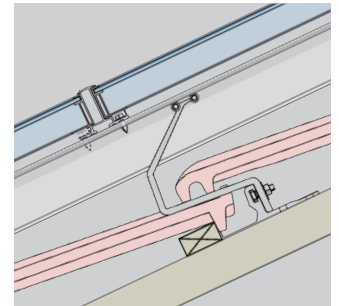
Duramont mounting systems have been specially developed to meet the requirements of rooftop installations. The rooftop leveling system can be used with all types of roofing. We offer solutions for flat and corrugated roofing, from plain tiles to interlocking tiles, as well as for steel and sheet metal structures.



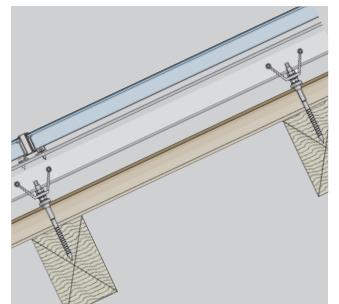
The insert system



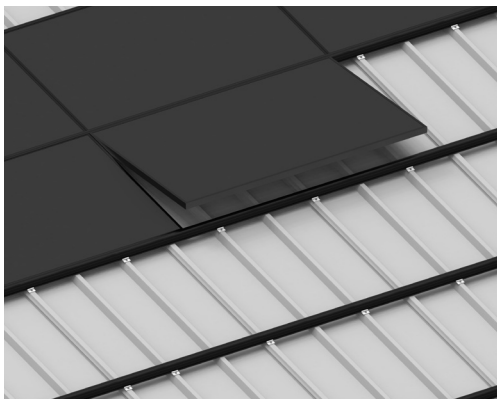
The clamping system



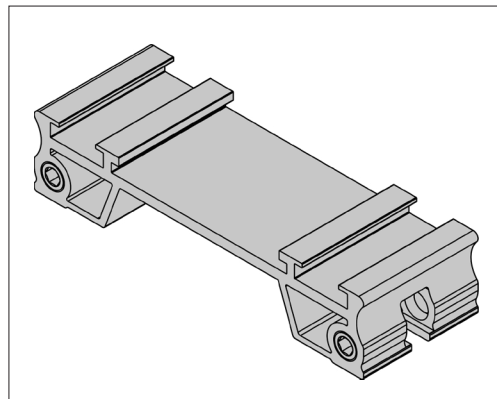
Installation of tile roof



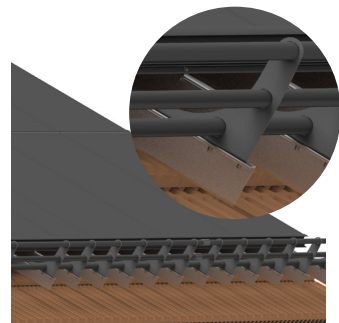
Installation of corrugated cement



Tin roofs



Folding clamp from our own production



Snow guard option

## Swissmade!

Most of the aluminum parts are produced at the Elgg site – cost-effectively and to a high standard of quality thanks to sophisticated manufacturing technology!

## Assembly instructions

Customer service is available throughout Switzerland to provide instructions and support for installation.

## Advantages of the Duramont system::

- Available as a clamping and insertion system
- Clever substructure for aesthetic and cost-effective installation
- Can be installed on any roof
- Robust, weatherproof, and durable
- Supplied as a complete system
- Comprehensive services for planning and installation

For more information, please visit: [www.soltop-energie.ch](http://www.soltop-energie.ch) & [www.soltop-energie.eu](http://www.soltop-energie.eu)

### SOLTOP Energie AG

St. Gallerstrasse 3  
CH-8353 Elgg  
info@soltop-energie.ch

### SOLTOP Energie GmbH

Lindauer Straße 15  
D-88145 Hergatz  
info@soltop-energie.eu

### SOLTOP Energie SA

Rue des Sablons 8  
CH-3960 Sierre  
info.fr@soltop-energie.ch

### SOLTOP Energie SA

Avenue Haldimand 41  
CH-1400 Yverdon-Les-Bains  
info@soltop-energie.ch

Your local installer: