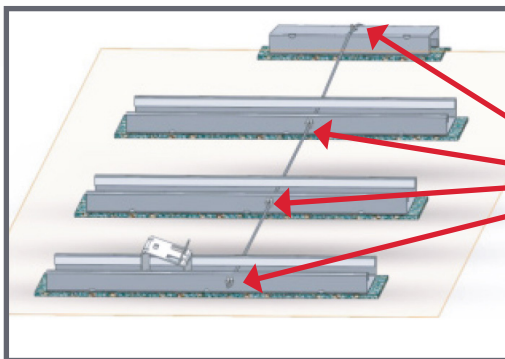
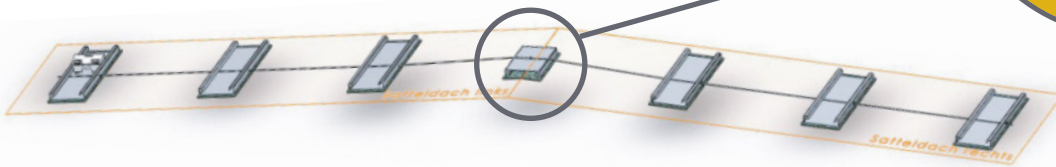
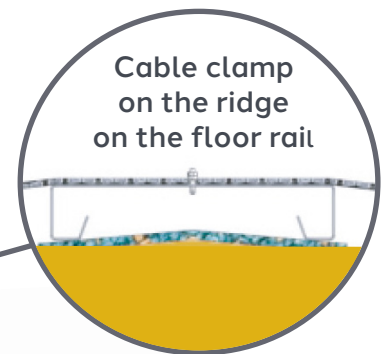
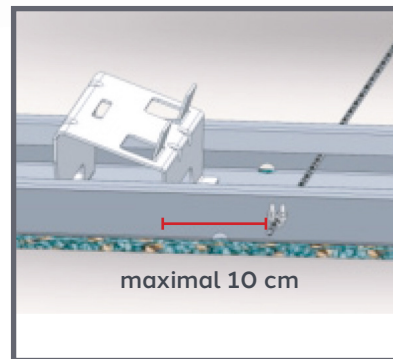


Slip protection with wire rope

For roof-inclinations with more than 3° a cable-connection can be used to prevent the system from sliding. On gable roofs the systems will be connected to each other across the ridge with cables. On lean-to roofs the pv-system will be connected to a solid point.



Cable clamps



1. Connect the floor rail (upside down) on the ridge with the rope.
2. Install rope safety devices before every second row.
Drill a 6 mm diameter hole in both flanks of the rails and deburr.
3. Distance to the front module support max 10 cm.

For more information, please visit www.soltop-energie.ch & www.soltop-energie.eu

SOLTOP Energie AG
St. Gallerstrasse 3
CH-8353 Elgg
info@soltop-energie.ch

SOLTOP Energie GmbH
Lindauer Straße 15
D-88145 Hergatz
info@soltop-energie.eu

SOLTOP Energie SA
Rue des Sablons 8
CH-3960 Sierre
info.fr@soltop-energie.ch

SOLTOP Energie SA
Avenue Haldimand 41
CH-1400 Yverdon-les-Bains
info.fr@soltop-energie.ch