

Duraklick

XL

Flat roof Mounting-System EW 12° XL

Duraklick

A brand of SOLTOP Energie GmbH

With the new Duraklick XL, we offer an innovative mounting solution that is specially tailored to the requirements of the latest generation of modules. The system enables precise positioning of the module clamps and provides stable support thanks to the underlying profiles.

This means that the maximum permissible loads can be safely mapped and the forces reliably transferred to the substructure. Even with high snow and wind loads, large modules with narrow frames can be installed without any problems.

The patented click system made of high-quality materials ensures quick and easy installation. The 230 mm wide base profiles ensure optimum load distribution, while the 12° inclination offers a good compromise between yield and self-cleaning.



Easy to
assemble

Non-roof-
penetrating

Best load
distribution

For more information, please visit www.soltop-energie.ch & www.soltop-energie.eu

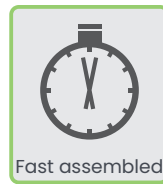
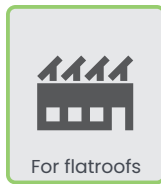
SOLTOP Energie AG
St. Gallerstrasse 3
CH-8353 Elgg
info@soltop-energie.ch

SOLTOP Energie GmbH
Lindauer Straße 15
D-88145 Hergatz
info@soltop-energie.eu

SOLTOP Energie SA
Rue des Sablons 8
CH-3960 Sierre
info.fr@soltop-energie.ch

SOLTOP Energie SA
Avenue Haldimand 41
CH-1400 Yverdon-les-Bains
info@soltop-energie.ch

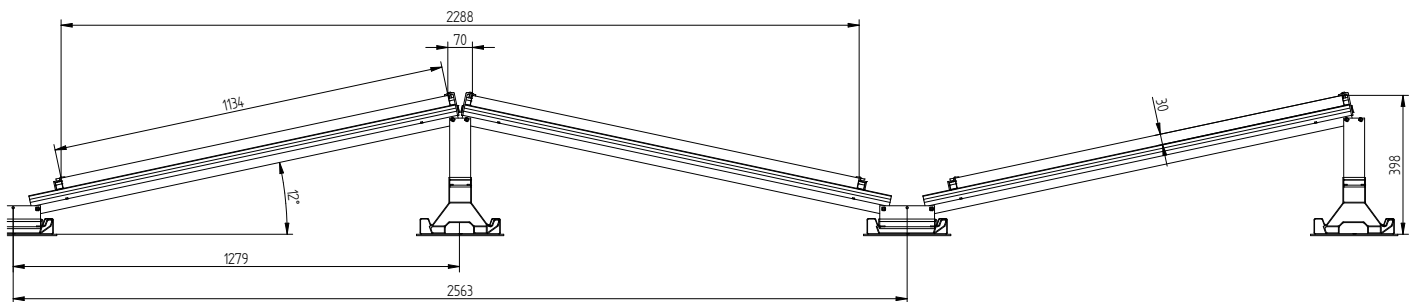
Flat roof Mounting-System EW 12° XL



Convincing features:

- Quick and easy to install
- Variable clamping on the long module side
- High load possible thanks to support profile under the modules
- Suitable for large modules
- **With interrupted or continuous floor profiles**
- Corrosion-resistant and statically tested
- Compatible with the Duraklick HSS height safety system
- All components made of high-quality aluminum
- Stainless steel screws
- Made in Europe

For PV modules with a width of up to 1,200 mm and 12° inclination
Duraklick EW 12° XL



Technical specifications

Inclination	~12°	Module length	Variable
Rail length	0,3 - 6,0 m	Surface load	11 kg/m ² *
Module width	bis 1.200 mm	Material aluminium / stainless steel	

* with a module weight of 19 kg



For more information, please visit www.soltop-energie.ch & www.soltop-energie.eu

SOLTOP Energie AG
St. Gallerstrasse 3
CH-8353 Elgg
info@soltop-energie.ch

SOLTOP Energie GmbH
Lindauer Straße 15
D-88145 Hergatz
info@soltop-energie.eu

SOLTOP Energie SA
Rue des Sablons 8
CH-3960 Sierre
info.fr@soltop-energie.ch

SOLTOP Energie SA
Avenue Haldimand 41
CH-1400 Yverdon-les-Bains
info@soltop-energie.ch