



Duraklick

EW

## Flat roof Mounting-System east west

**Duraklick**

A brand of SOLTOP Energie GmbH

approved by  
German Institute  
for Building  
Technologies

The Duraklick-EW mounting system was developed for maximum yields with maximum utilization of space. It ensures significantly more even yields on flat roofs and impresses with a first-class price-performance ratio.

The outstanding system properties such as simple installation, the click system, the lightweight aluminum composite construction and the excellent load distribution due to the 230mm wide base profile are, of course, also features of this system. With a module inclination of 10°, it is ideal for roofs with foil or bitumen surfaces, because it is installed without roof penetration and requires no or only a slight load.

Other module inclinations on request!

**soltop  
energie**

Easy to  
assemble

Non-roof-  
penetrating

Best load  
distribution

For more information, please visit [www.soltop-energie.ch](http://www.soltop-energie.ch) & [www.soltop-energie.eu](http://www.soltop-energie.eu)

**SOLTOP Energie AG**  
St. Gallerstrasse 3  
CH-8353 Elgg  
[info@soltop-energie.ch](mailto:info@soltop-energie.ch)

**SOLTOP Energie GmbH**  
Lindauer Straße 15  
D-88145 Hergatz  
[info@soltop-energie.eu](mailto:info@soltop-energie.eu)

**SOLTOP Energie SA**  
Rue des Sablons 8  
CH-3960 Sierre  
[info.fr@soltop-energie.ch](mailto:info.fr@soltop-energie.ch)

**SOLTOP Energie SA**  
Avenue Haldimand 41  
CH-1400 Yverdon-les-Bains  
[info@soltop-energie.ch](mailto:info@soltop-energie.ch)

# Flat roof Mounting-System east west

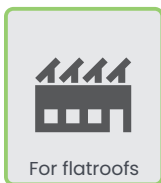
02.2026



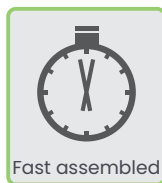
Non roof  
penetration



Windproof



For flatroofs



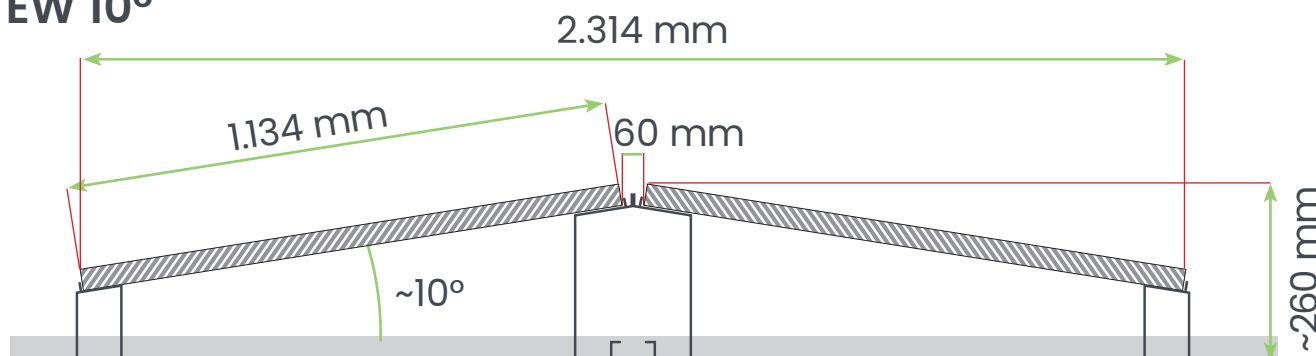
Fast assembled

## Convincing features:

- Simple and safe
- Tested and approved up to windzone IV
- Corrosion resistant and statically tested
- Tested by the „Deutsches Institut für Bautechnik“ and approved by the building authorities under the number Z 14.4-691 since 2015
- Compatible with the height safety system Duraklick HSS
- Made in Germany

For PV modules  
with a width of 1.040 – 1.210 mm and with  $\sim 10^\circ$  inclination

## EW $10^\circ$



### Technical specifications

Inclination	$\sim 10^\circ$
Rail length	0,3 – 6,0 m
Module width	1.040 – 1210 mm
Surface load	ca. 13,1 kg/m <sup>2</sup> *
Line load	ca. 21,6 kg/m *
Material	aluminium / stainless steel

\* with a module weight of 19 kg and a skip of 2.35 m without additional ballast

Module width 1.134 / 30 mm

For more information, please visit [www.soltop-energie.ch](http://www.soltop-energie.ch) & [www.soltop-energie.eu](http://www.soltop-energie.eu)

**SOLTOP Energie AG**  
St. Gallerstrasse 3  
CH-8353 Elgg  
info@soltop-energie.ch

**SOLTOP Energie GmbH**  
Lindauer Straße 15  
D-88145 Hergatz  
info@soltop-energie.eu

**SOLTOP Energie SA**  
Rue des Sablons 8  
CH-3960 Sierre  
info.fr@soltop-energie.ch

**SOLTOP Energie SA**  
Avenue Haldimand 41  
CH-1400 Yverdon-les-Bains  
info@soltop-energie.ch