



Duraklick

SR

Flat roof Mounting System South

Duraklick

A brand of SOLTOP Energie GmbH

approved by
German Institute
for Building
Technologies

SOLTOP offers flat roof mounting systems for large-scale photovoltaic systems on industrial and commercial buildings.

The SR series mounting systems have been specially developed to meet the requirements of large-scale rooftop systems. Thanks to their excellent aerodynamics, these systems are also suitable for very high buildings or roofs with low load reserves that are strongly affected by wind.

These are lightweight, aerodynamic, self-supporting photovoltaic mounting systems on a continuous 230 mm wide base profile. They are installed without penetrating the roof and require little or no additional load. Bitumen-free building protection mats as a mounting base provide additional protection for the roof cladding.

**soltop
energie**

Easy to
assemble

Non-roof-
penetrating

230 mm wide
floor profile

For more information, please visit www.soltop-energie.ch & www.soltop-energie.eu

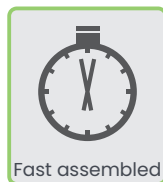
SOLTOP Energie AG
St. Gallerstrasse 3
CH-8353 Elgg
info@soltop-energie.ch

SOLTOP Energie GmbH
Lindauer Straße 15
D-88145 Hergatz
info@soltop-energie.eu

SOLTOP Energie SA
Rue des Sablons 8
CH-3960 Sierre
info.fr@soltop-energie.ch

SOLTOP Energie SA
Avenue Haldimand 41
CH-1400 Yverdon-les-Bains
info@soltop-energie.ch

Flat roof Mounting system south



Convincing Features:

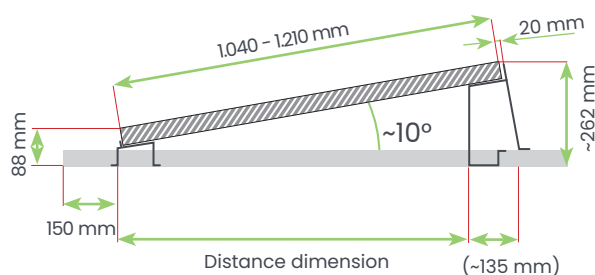
- Simple and safe
- Tested and approved up to windzone IV
- Corrosion resistant material and statically tested
- Tested by the „Deutsches Institut für Bautechnik“ and approved by the building authorities under the number Z 14.4-691
- Made in Germany

Duraklick-South (SR) is available in two versions:

SR 100/10°

for photovoltaic modules with a width of 950 - 1,065 mm with ~10° inclination

Module width 1134 / 30 mm



Technical specifications

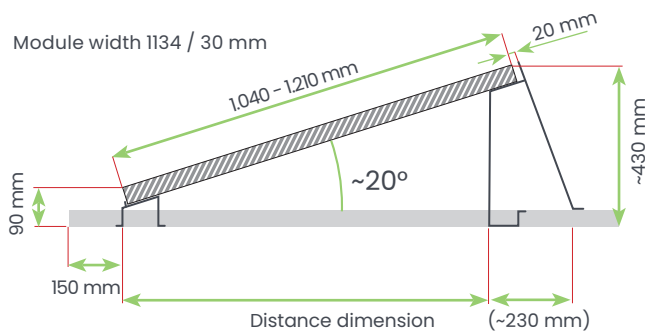
Inclination	~10°
Rail length	0,7 - 6,0 m
Modul with	1.040 - 1.210 mm
Surface load	ab ca. 8,0 kg/m ² *
Line load	ca. 18,1 kg/m *
Material	aluminium / stainless steel

* assuming a module of 19 kg

SR 100/20°

for photovoltaic modules with a width of 1.040 - 1,210 mm with ~20° inclination

Module width 1134 / 30 mm



Technical specifications

Inclination	~20°
Rail length	0,7 - 6,0 m
Modul with	1.040 - 1.210 mm
Surface load	ca. 7,0 kg/m ² *
Line load	ca. 16,8 kg/m *
Material	aluminium / stainless steel

* assuming a module of 19 kg

For more information, please visit www.soltop-energie.ch & www.soltop-energie.eu

SOLTOP Energie AG

St. Gallerstrasse 3
CH-8353 Elgg
info@soltop-energie.ch

SOLTOP Energie GmbH

Lindauer Straße 15
D-88145 Hergatz
info@soltop-energie.eu

SOLTOP Energie SA

Rue des Sablons 8
CH-3960 Sierre
info.fr@soltop-energie.ch

SOLTOP Energie SA

Avenue Haldimand 41
CH-1400 Yverdon-les-Bains
info@soltop-energie.ch